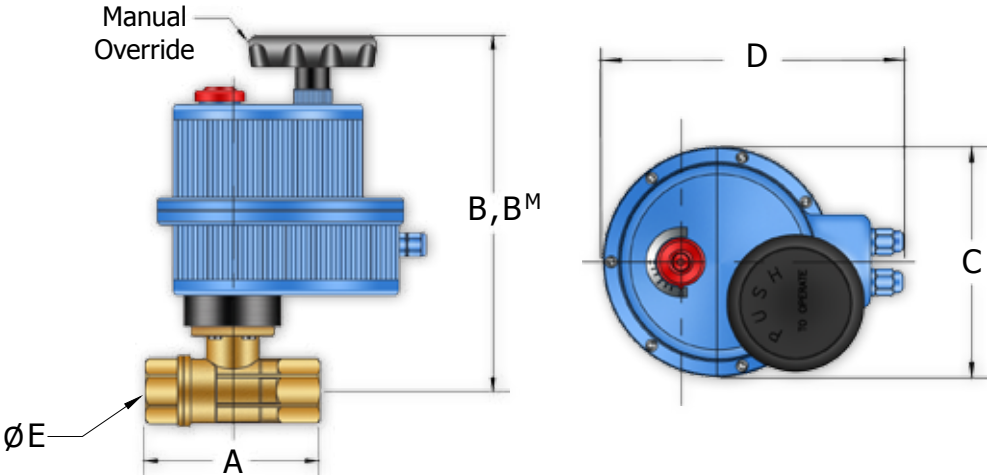
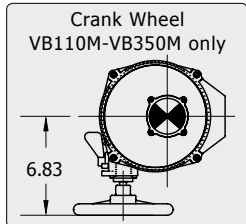




B2F Series Electric Actuated Valves



- ### Features:
- Actuator**
- VO Self Extinguishing Class Techno-Polymer
 - Metal Available on request
 - All Actuators IP67 (VB015 IP65)
 - Heater Thermostat Standard
 - Manual Override Standard
 - Two Auxiliary Limit Switches Standard
 - Battery Backup or 4-20mA Positioner Optional
- Valve**
- 2-Way Brass Full Port
 - 29 Hg-600 PSI W.O.G. Cold Non-Shock
 - 0°F to 366°F



Dimensions:

*** Actuator Voltage

115V = 115VAC
240V = 240VAC
012D = 12VDC
024D = 24VDC

B^M = Optional Metal Actuator

Part No.	Size	Actuator		A	B	C	D	E	B ^M
		Standard	Optional						
E***/B2F-2	1/4"	VB015	VB030M	2.64	6.85	4.84	6.41	0.39	9.31
E***/B2F-3	3/8"	VB015	VB030M	2.64	6.85	4.84	6.41	0.39	9.31
E***/B2F-4	1/2"	VB015	VB030M	2.64	6.85	4.84	6.41	0.59	9.31
E***/B2F-6	3/4"	VB015	VB030M	3.00	6.93	4.84	6.41	0.78	9.39
E***/B2F-8	1"	VB015	VB030M	3.35	7.36	4.84	6.41	0.98	9.82
E***/B2F-10	1-1/4"	VB015	VB030M	3.66	7.50	4.84	6.41	1.25	9.96
E***/B2F-12	1-1/2"	VB030	VB030M	4.13	9.92	6.18	7.48	1.49	10.55
E***/B2F-16	2"	VB030	VB030M	4.80	11.24	6.18	7.48	1.96	10.91
E***/B2F-20	2-1/2"	VB060	VB060M	6.10	11.94	7.28	8.43	2.55	12.20
E***/B2F-24	3"	VB060	VB060M	6.89	12.30	7.28	8.43	3.15	12.56
E***/B2F-32	4"	VB0110	VB0110M	8.03	14.00	8.31	9.33	3.93	14.26