



# FF150DM Series Electric Actuated Valves

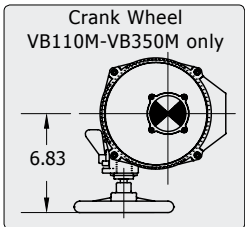


- ### Features:
- Actuator**
- Aluminum Alloy Enclosure w/Poly Powder Coating
  - All Actuators IP67
  - Heater Thermostat Standard
  - Manual Override Standard
  - Two Auxiliary Limit Switches Standard
  - Battery Backup or 4-20mA Positioner Optional
- Valve**
- Full Port ANSI Class 150 Flange Valve
  - ISO 5211 Mounting Pad
  - Available with V-Ball Option C/F
  - Fire Safe Certified to API607, 6TH Edition
  - Designed to ANSI B16.5, B16.10, B16.34
  - Complies with NACE MR 0175/ISO 15156 and NACE MR 0103

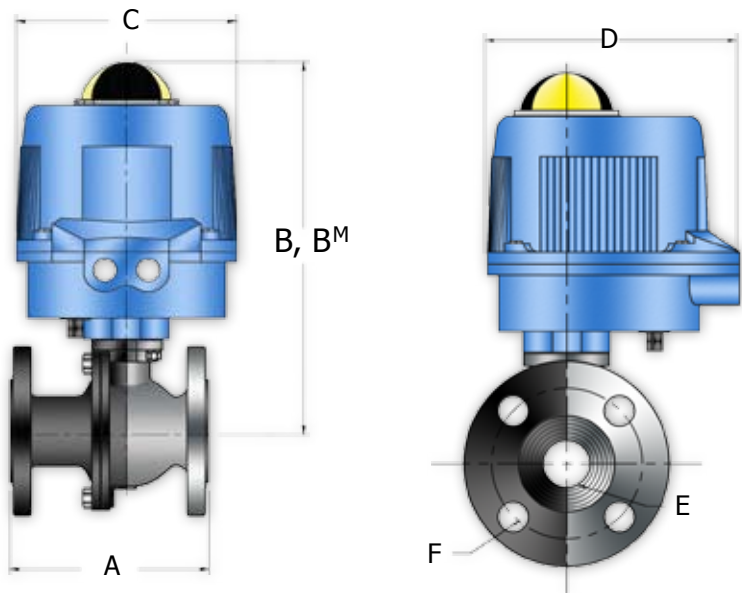
\*\*\* Actuator Voltage

**115V** = 115VAC  
**240V** = 240VAC  
**012D** = 12VDC  
**024D** = 24VDC

B<sup>M</sup> = Metal Actuator Std.  
 B = Optional ABS Actuator



\* Option  
**S** = Stainless  
**C** = Carbon



### Dimensions:

Part No.	Size	Actuator		A	B <sup>M</sup>	B	C	D	E	F
		Standard	Optional							
E***M/*2FF150DM-8	1"	VB030M	VB030	5.00	10.32	9.69	6.33	7.34	0.98	0.63x4
E***M/*2FF150DM-12	1-1/2"	VB060M	VB060	6.50	11.87	11.61	6.94	7.82	1.50	0.63x4
E***M/*2FF150DM-16	2"	VB060M	VB060	7.00	12.25	11.99	6.94	7.82	1.97	0.63x4
E***M/*2FF150DM-24	3"	VB110M	VB110	8.00	14.37	13.86	10.68	9.71	3.00	0.75x4
E***M/*2FF150DM-32	4"	VB190M	VB190	9.00	14.94	14.43	10.89	9.71	4.00	0.75x8