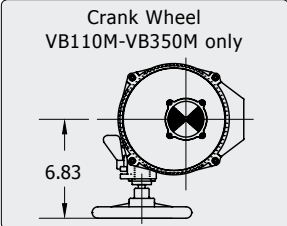




# FF150 TT & TL Series Electric Actuated Valves



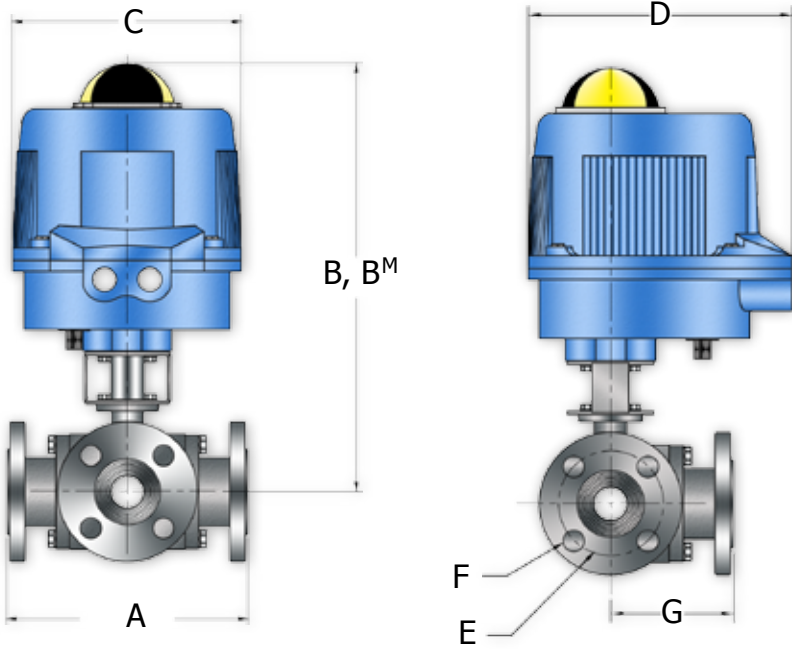
- ### Features:
- Actuator**
- Aluminum Alloy Enclosure w/Poly Powder Coating
  - All Actuators IP67
  - Heater Thermostat Standard
  - Manual Override Standard
  - Two Auxiliary Limit Switches Standard
  - Battery Backup or 4-20mA Positioner Optional
- Valve**
- Full Port 3-Way ANSI Class 150 Flange Valve
  - Available in T and L Port
  - 3 Seat Design Maintains Proper Ball Position
  - Available with Optional Seats



\*\*\* Option  
Actuator Voltage  
**115V** = 115VAC  
**240V** = 240VAC  
**012D** = 12VDC  
**024D** = 24VDC  
**B<sup>M</sup>** = Metal Actuator Std.  
**B** = Optional ABS Actuator

\* Option  
**S** = Stainless  
**C** = Carbon

\* Option  
**T** = T-Port  
**L** = L-Port



### Dimensions:

Part No.	Size	Actuator		A	B <sup>M</sup>	B	C	D	E	F	G	Bracket Kit
		Standard	Optional									
E***M/*2FF150T*-6	3/4"	VB060M	VB060	6.65	13.52	12.91	6.94	7.82	2.75	0.63x4	3.33	BK1-050A
E***M/*2FF150T*-8	1"	VB060M	VB060	7.30	13.56	12.95	6.94	7.82	3.12	0.63x4	3.65	BK1-050B
E***M/*2FF150T*-12	1-1/2"	VB110M	VB110	7.17	14.00	14.38	10.68	9.71	3.88	0.63x4	3.57	BK2-063C
E***M/*2FF150T*-16	2"	VB110M	VB110	8.66	14.39	14.77	10.68	9.71	4.75	0.63x4	4.33	BK2-075C
E***M/*2FF150T*-24	3"	VB270M	VB270	11.26	17.42	17.78	10.89	10.08	6.00	0.75x4	5.62	BKS-075D