



FF150 TT & TL Series Pneumatic Actuated Valves



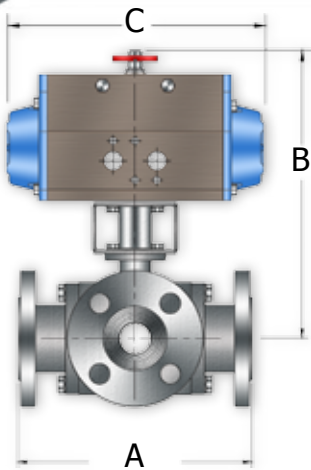
Features:

Actuator

- 80 PSI Minimum, 120 PSI Max.
- Aluminum Construction
- Nitril Seals, Polyamide Friction Guides
- -4°F to 185°F

Valve

- Full Port 3-Way ANSI Class 150 Flange Valve
- Available in T and L Port
- 3 Seat Design Maintains Proper Ball Position
- Available with Optional Seats



Double Acting Dimensions:

Part No.	Size	Actuator	A	B	C	D	E	F	G	Bracket Kit
PD/*2FF150T*-6	3/4"	DA63	6.65	8.47	6.61	3.29	0.63x4	3.33	2.75	BK1-050A
PD/*2FF150T*-8	1"	DA75	7.30	8.98	7.32	3.73	0.63x4	3.65	3.12	BK1-050A
PD/*2FF150T*-12	1-1/2"	DA85	7.17	9.28	9.47	4.17	0.63x4	3.57	3.88	BK1-050B
PD/*2FF150T*-16	2"	DA100	8.66	10.18	10.83	4.84	0.75x4	5.99	4.75	BK2-075C
PD/*2FF150T*-24	3"	DA115	11.26	11.89	13.11	5.39	0.75x4	6.83	5.62	BK3-075D
PD/*2FF150T*-32	4"	DA140	13.66	15.40	17.13	6.46	0.75x8	6.83	7.50	BK3-075D
PD/*2FF150T*-48	6"	DA230	16.77	23.32	27.17	12.80	0.90x8	8.38	9.50	BK3-125D
PD/*2FF150T*-64	8"	DA270	20.94	27.33	27.80	11.58	0.90x8	10.47	11.75	BK4-270EL

* Option

O = Fail open

C = Fail Close

* Option

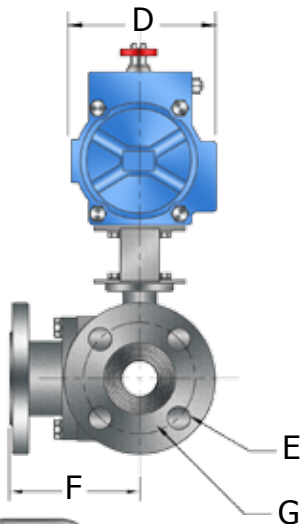
S = Stainless

C = Carbon

* Option

T = T-Port

L = L-Port



Spring Return Dimensions:

Part No.	Size	Actuator	A	B	C	D	E	F	G	Bracket Kit
P*/*2FF150-6T*	3/4"	SR100	6.65	9.93	10.83	4.84	0.63x4	3.33	2.75	BK1-063A
P*/*2FF150-8T*	1"	SR115	7.30	10.75	13.11	5.39	0.63x4	3.65	3.12	BK1-075A
P*/*2FF150-12T*	1-1/2"	SR115	7.17	11.09	13.11	5.39	0.63x4	3.57	3.88	BK1-075B
P*/*2FF150-16T*	2"	SR140	8.66	15.40	17.13	6.46	0.75x4	4.33	4.75	BK2-075C
P*/*2FF150-24T*	3"	SR180	11.26	16.34	16.69	7.32	0.75x4	5.62	6.00	BK3-125D
P*/*2FF150-32T*	4"	SR230	13.66	21.70	21.17	9.78	0.75x8	6.83	7.50	BK3-125D