



FF150 Series Electric Actuated Valves



Actuator Features:

- Aluminum Alloy Enclosure w/Poly Powder Coating
- All Actuators IP67
- Heater Thermostat Standard
- Manual Override Standard
- Two Auxiliary Limit Switches Standard
- Battery Backup or 4-20mA Positioner Optional

Valve

- Full Port Split Body ANSI Class 150
- Class 150 29Hg – 285psi, Cold Non-Shock
- Live Loaded Stem Design, Anti-Static Device
- Temp -50°F to 400°F
- Fire Safe Approved API 607-4
- Available with Optional Seats and V-Ball Option C/F

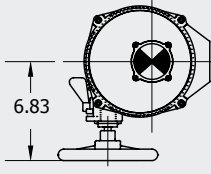
*** Actuator Voltage

- 115V** = 115VAC
- 240V** = 240VAC
- 012D** = 12VDC
- 024D** = 24VDC

B^M = Metal Actuator Std.

B = Optional ABS Actuator

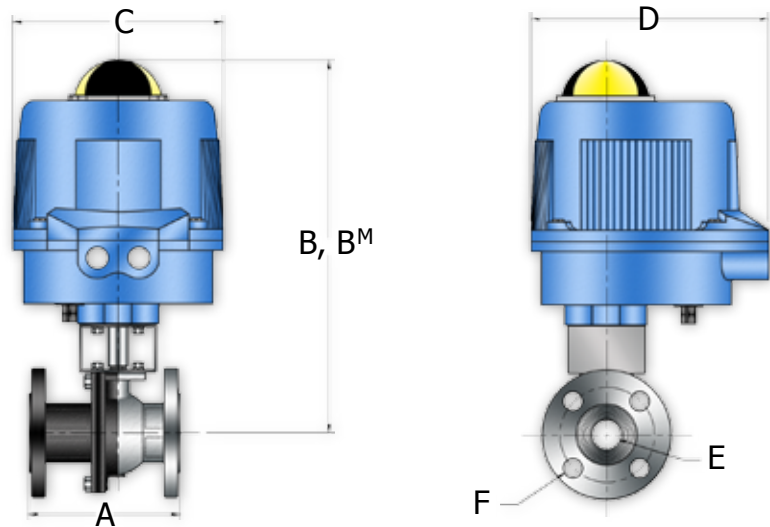
Crank Wheel
VB110M-VB350M only



* Option

S = Stainless

C = Carbon



Dimensions:

Part No.	Size	Actuator		A	B ^M	B	C	D	E	F	Bracket Kit
		Standard	Optional								
E***M/*2FF150-4	1/2"	VB030M	VB030	5.50	12.20	12.06	6.33	7.34	0.59	0.63x4	BK1-050A
E***M/*2FF150-6	3/4"	VB030M	VB030	6.00	12.51	12.37	6.33	7.34	0.79	0.63x4	BK1-050A
E***M/*2FF150-8	1"	VB030M	VB030	6.50	13.03	12.89	6.33	7.34	0.98	0.63x4	BK1-050B
E***M/*2FF150-12	1-1/2"	VB060M	VB060	7.50	14.72	14.11	6.94	7.82	1.50	0.63x4	BK2-063C
E***M/*2FF150-16	2"	VB060M	VB060	8.50	15.12	14.51	6.94	7.82	1.97	0.63x4	BK2-075C
E***M/*2FF150-24	3"	VB190M	VB190	11.12	17.32	17.70	10.68	9.71	3.00	0.88x8	BK3-075D
E***M/*2FF150-32	4"	VB270M	VB270	12.00	18.20	18.56	10.89	10.08	4.00	0.88x8	BK3-075D