



# FF150 Series Pneumatic Actuated Valves

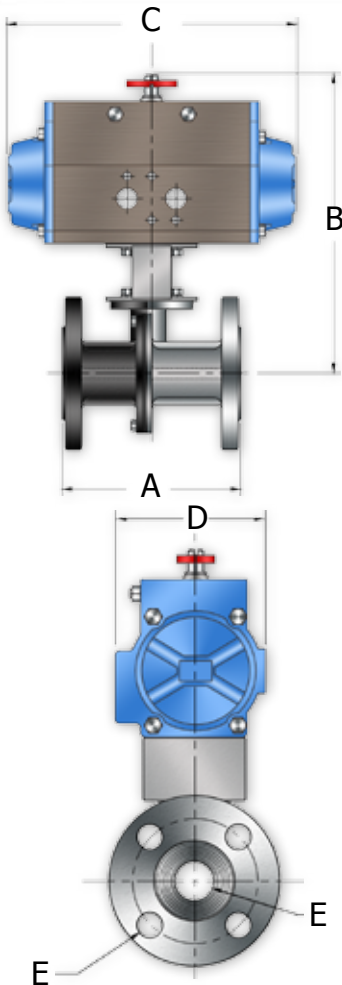
## Features:

### Actuator

- 80 PSI Minimum, 120 PSI Max.
- Aluminum Construction
- Nitril Seals, Polyamide Friction Guides
- -4°F to 185°F

### Valve

- Full Port Split Body ANSI Class 150
- Class 150 29Hg – 285psi, Cold Non-Shock
- Live Loaded Stem Design, Anti-Static Device
- Temp -50°F to 400°F
- Fire Safe Approved API 607-4
- Available with Optional Seats and V-Ball Option C/F



## Double Acting Dimensions:

Part No.	Size	Actuator	A	B	C	D	E	F	Bracket Kit
PD/*2FF150-4	1/2"	DA52	4.25	6.74	5.88	2.82	0.59	0.63x4	BK1-050A
PD/*2FF150-6	3/4"	DA52	4.62	6.74	5.88	2.82	0.79	0.63x4	BK1-050A
PD/*2FF150-8	1"	DA52	5.00	7.26	5.88	2.82	0.98	0.63x4	BK1-050B
PD/*2FF150-12	1-1/2"	DA63	6.50	8.15	6.61	3.29	1.50	0.63x4	BK1-063B
PD/*2FF150-16	2"	DA75	7.00	9.52	7.32	3.73	1.97	0.63x4	BK2-063C
PD/*2FF150-24	3"	DA100	8.00	13.60	10.83	4.84	3.00	0.75x4	BK2-063C
PD/*2FF150-32	4"	DA115	9.00	17.81	13.11	5.39	4.00	0.75x4	BK3-100D
PD/*2FF150-48	6"	DA180	15.50	21.19	19.41	8.38	5.98	0.88x8	BK3-C/F
PD/*2FF150-64	8"	DA230	18.00	23.29	27.17	9.78	7.87	0.88x8	BK4-C/F

\* Option  
**S** = Stainless  
**C** = Carbon

\* Option  
**O** = Fail open  
**C** = Fail Close

## Spring Return Dimensions:

Part No.	Size	Actuator	A	B	C	D	E	F	Bracket Kit
P*/*2FF150-4	1/2"	SR63	4.25	7.55	6.61	3.29	0.59	0.63x4	BK1-063A
P*/*2FF150-6	3/4"	SR63	4.62	7.85	6.61	3.29	0.79	0.63x4	BK1-075A
P*/*2FF150-8	1"	SR63	5.00	7.91	6.61	3.29	0.98	0.63x4	BK1-075B
P*/*2FF150-12	1-1/2"	SR100	6.50	9.88	10.83	4.84	1.50	0.63x4	BK1-075B
P*/*2FF150-16	2"	SR115	7.00	11.29	13.11	5.39	1.97	0.63x4	BK2-075DM
P*/*2FF150-24	3"	SR140	8.00	16.42	17.13	6.46	3.00	0.88x8	BK3-100D
P*/*2FF150-32	4"	SR180	9.00	18.48	19.69	7.32	4.00	0.88x8	BK4-270EL
P*/*2FF150-48	6"	SR270	15.50	26.94	28.46	11.42	5.98	0.88x8	BK3-C/F
P*/*2FF150-64	8"	C/F	18.00	C/F	C/F	C/F	7.87	0.88x8	C/F