



## STC TT & TL Series Pneumatic Actuated Valves



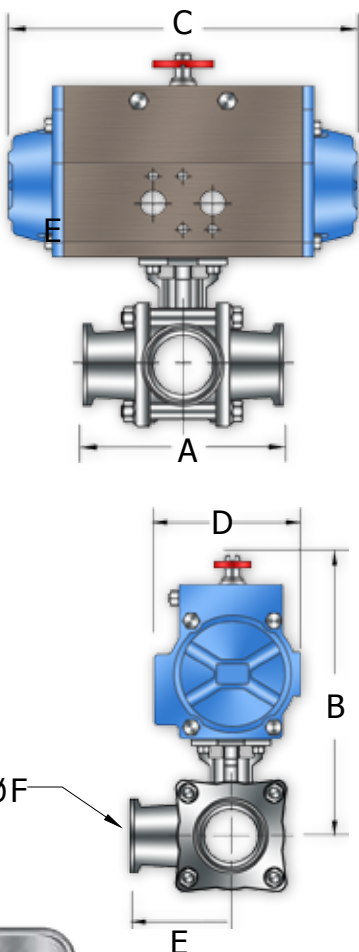
### Features:

#### Actuator

- 80 PSI Minimum, 120 PSI Max.
- Aluminum Construction
- Nitril Seals, Polyamide Friction Guides
- -4°F to 185°F

#### Valve

- Stainless Steel 3-way
- Sanitary Tri-Clamp Ball Valve
- ISO 5211 Mounting Pad
- Temperature 0°F to 400°F
- Cavity Filled Teflon Seats Standard (Non-Cavity Filled Seats Optional)
- Meets FDA, USDA, and 3A Requirements (Cavity Filled Only)



### Double Acting Dimensions:

Part No.	Size	Actuator	A	B	C	D	E	ØF
PD/STC-8T*	1"	DA63	4.50	5.76	5.88	2.82	2.23	0.87
PD/STC-12T*	1-1/2"	DA63	5.50	7.17	6.61	3.29	2.44	1.37
PD/STC-16T*	2"	DA75	6.25	7.63	8.27	3.72	3.13	1.87
PD/STC-24T*	3"	DA100	9.00	10.34	10.83	4.84	4.75	2.88
PD/STC-32T*	4"	DA115	9.50	11.60	13.11	5.39	3.84	3.84

\* Option  
**T** = T-Port  
**L** = L-Port

\* Option  
**O** = Fail open  
**C** = Fail Close

### Spring Return Dimensions:

Part No.	Size	Actuator	A	B	C	D	E	ØF
P*/STC-8T*	1"	SR85	4.50	7.29	9.47	4.17	2.23	0.87
P*/STC-12T*	1-1/2"	SR100	5.50	9.28	13.11	5.39	2.44	1.37
P*/STC-16T*	2"	SR115	6.25	9.65	13.11	5.39	3.13	1.87
P*/STC-24T*	3"	SR140	9.00	13.22	19.69	7.32	4.75	2.88
P*/STC-32T*	4"	SR160	9.50	13.91	19.69	7.32	3.84	3.84