



# S3FDM Series Electric Actuated Valves



## Features:

### Actuator

- VO Self Extinguishing Class Techno-Polymer
- Metal Available on request
- All Actuators IP67 (VB015 IP65)
- Heater Thermostat and Manual Override Standard
- Two Auxiliary Limit Switches Standard
- Battery Backup or 4-20mA Positioner Optional

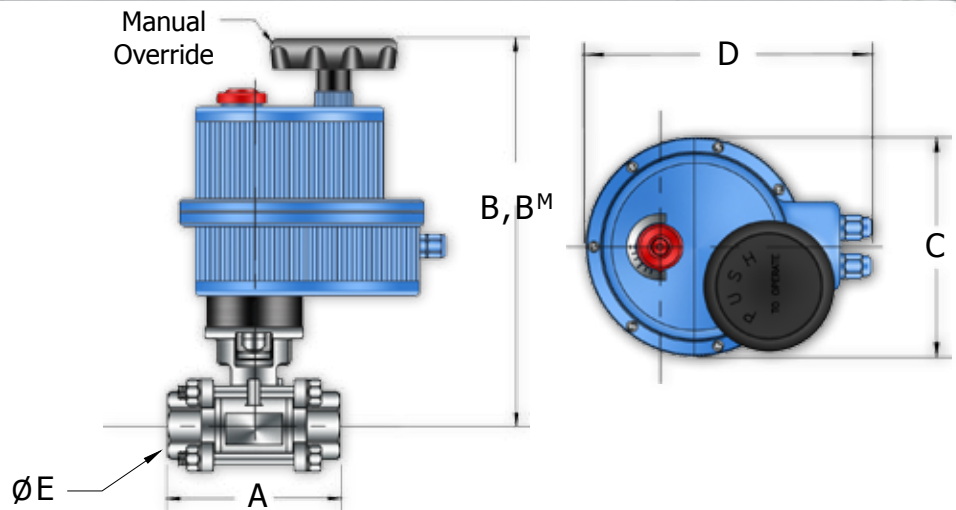
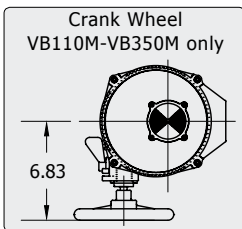
### Valve

- Stainless Steel 3-Piece Full Port Ball Valve
- ISO 5211 Mounting Pad
- 1000PSI WOG 1/4" - 2" (2-1/2" - 4" 800psi)
- PTFE Seats and Viton® O-Ring
- Temperature -40°F to 440°F

### \*\*\* Actuator Voltage

- 115V** = 115VAC
- 240V** = 240VAC
- 012D** = 12VDC
- 024D** = 24VDC

B<sup>M</sup> = Optional Metal Actuator



### Dimensions:

Part No.	Size	Actuator		A	B	C	D	ØE	B <sup>M</sup>
		Standard	Optional						
E***/S3FDM-2	1/4"	VB015	VB030M	2.51	7.23	4.84	6.41	0.39	9.69
E***/S3FDM-3	3/8"	VB015	VB030M	2.51	7.23	4.84	6.41	0.39	9.69
E***/S3FDM-4	1/2"	VB015	VB030M	2.57	7.23	4.84	6.41	0.59	9.69
E***/S3FDM-6	3/4"	VB015	VB030M	3.11	7.46	4.84	6.41	0.78	9.92
E***/S3FDM-8	1"	VB030	VB030M	3.38	9.63	6.18	7.48	0.98	10.26
E***/S3FDM-10	1-1/4"	VB030	VB030M	4.13	9.74	6.18	7.48	1.25	10.37
E***/S3FDM-12	1-1/2"	VB030	VB030M	4.68	10.45	6.18	7.48	1.49	10.71
E***/S3FDM-16	2"	VB060	VB060M	5.23	11.81	7.28	7.82	1.96	12.07
E***/S3FDM-20	2-1/2"	VB110	VB110M	6.46	13.67	8.31	9.33	2.55	13.93
E***/S3FDM-24	3"	VB190	VB190M	7.19	14.02	8.31	9.33	3.15	14.28
E***/S3FDM-32	4"	VB190	VB190M	9.28	14.61	8.31	9.33	4.04	14.87