



2F3M Series Electric Actuated Valves



Features:

Actuator

- VO Self Extinguishing Class Techno-Polymer
- Metal Available on request
- All Actuators IP67 (VB015 IP65)
- Heater Thermostat and Manual Override Standard
- Two Auxiliary Limit Switches Standard
- Battery Backup or 4-20mA Positioner Optional

Valve

- Stainless Steel and Carbon Steel
- ISO 5211 Mounting Pad
- 29"Hg-3000PSI (100°F)
- Full Port Ball Valve
- Delrin® Seats with Viton® O-Rings
- NACE MR-0175
- Temperature -20°F to 450°F

*** Actuator Voltage

115V = 115VAC

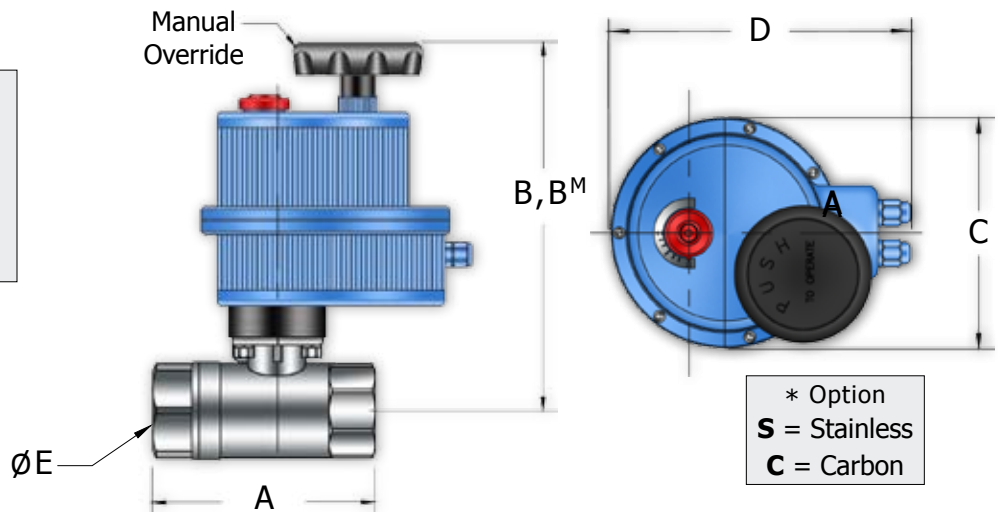
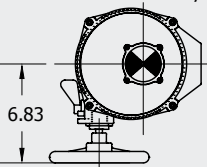
240V = 240VAC

012D = 12VDC

024D = 24VDC

B^M = Optional Metal Actuator

Crank Wheel
VB110M-VB350M only



* Option

S = Stainless

C = Carbon

Dimensions:

Part No.	Size	Actuator		A	B	C	D	ØE	B ^M
		Standard	Optional						
E***/*2F3M-2	1/4"	VB015	VB030M	2.51	7.18	4.84	6.41	0.37	9.64
E***/*2F3M-3	3/8"	VB015	VB030M	2.51	7.18	4.84	6.41	0.37	9.64
E***/*2F3M-4	1/2"	VB030	VB030M	2.57	9.01	6.18	7.48	0.49	9.65
E***/*2F3M-6	3/4"	VB030	VB030M	3.11	9.12	6.18	7.48	0.79	9.75
E***/*2F3M-8	1"	VB030	VB030M	3.38	10.57	7.28	8.43	0.98	10.83
E***/*2F3M-10	1-1/4"	VB060	VB060M	4.13	10.78	7.28	8.43	1.26	11.04
E***/*2F3M-12	1-1/2"	VB060	VB060M	4.68	11.42	7.28	8.43	1.50	11.68
E***/*2F3M-16	2"	VB060	VB060M	5.23	11.42	7.28	8.43	1.50	11.68