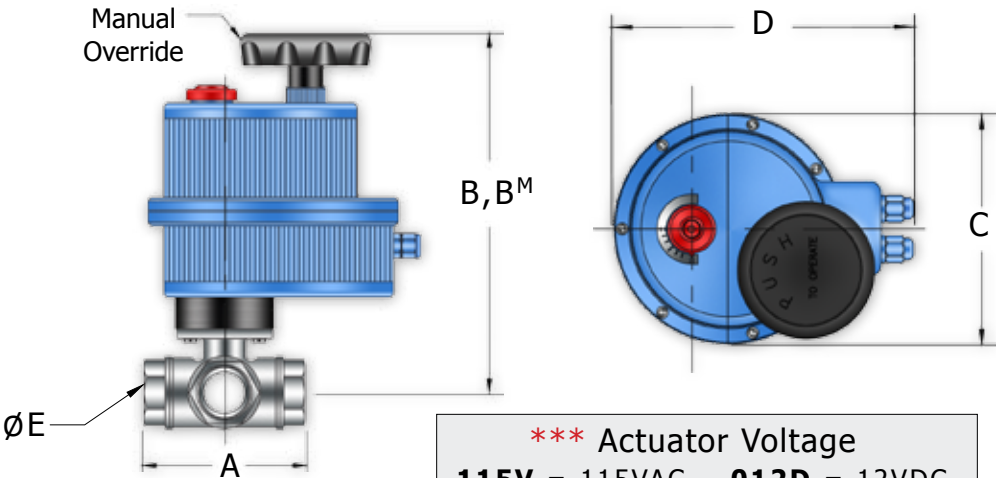
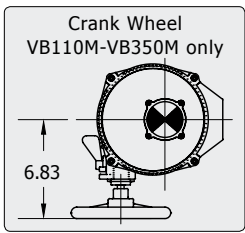




# S2S TL & TT Series Electric Actuated Valves



- ### Features:
- Actuator**
- VO Self Extinguishing Class Techno-Polymer
  - Metal Available on request
  - All Actuators IP67 (VB015 IP65)
  - Heater Thermostat Standard
  - Manual Override Standard
  - Two Auxiliary Limit Switches Standard
  - Battery Backup or 4-20mA Positioner Optional
- Valve**
- Stainless Steel 3-Way Std. Port Ball Valve
  - 29"Hg-1000PSI WOG (1/4" to 1") 800PSI (1-1/4" to 2")
  - ISO 5211 Mounting Pad
  - Four Seat Design for Sealing Between Pressurized Ports
  - RTFE Seats with Viton® O-Rings
  - Temperature -20°F to 450°F



\* Option  
**T** = T-Port  
**L** = L-Port

\*\*\* Actuator Voltage  
**115V** = 115VAC    **012D** = 12VDC  
**240V** = 240VAC    **024D** = 24VDC  
**B<sup>M</sup>** = Optional Metal Actuator

### Dimensions:

Part No.	Size	Actuator		A	B	C	D	ØE	B <sup>M</sup>
		Standard	Optional						
E***/S2S-4T*	1/2"	VB015	VB030M	2.83	7.02	4.84	6.41	0.47	9.48
E***/S2S-6T*	3/4"	VB030	VB030M	3.26	9.05	6.18	7.48	0.59	9.68
E***/S2S-8T*	1"	VB030	VB030M	3.89	9.05	6.18	7.48	0.78	9.68
E***/S2S-10T*	1-1/4"	VB060	VB060M	4.40	10.64	7.28	7.82	0.96	10.90
E***/S2S-12T*	1-1/2"	VB060	VB060M	4.92	10.94	7.28	7.82	1.25	11.20
E***/S2S-16T*	2"	VB110	VB110M	4.92	12.02	8.31	7.82	1.25	12.53