



S6M SERIES PNEUMATIC ACTUATED VALVES

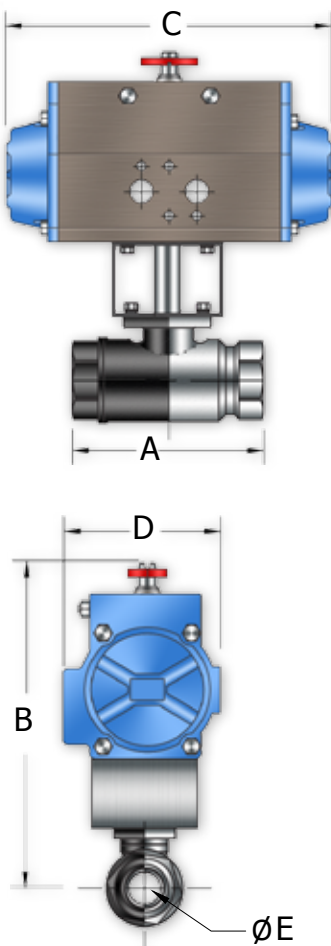
FEATURES:

Actuator

- 80 PSI Minimum, 120 PSI Max.
- Aluminum Construction
- Nitrile Seals, Polyamide Friction Guides
- -4°F to 185°F

Valve

- Seal Welded, Full Port Ball Valve
- Available in Stainless Steel and Carbon Steel
- 6000PSI WOG
- Delrin® Seats with Viton® O-Rings
- NACE MR-0175-90
- API 607-4 Fire Safe / API 608 Compliance
- API Standard 6D



DOUBLE ACTING DIMENSIONS:

Part No.	Size	Actuator	A	B	C	D	E	Bracket Kit
PD/*S6M-4	1/2"	DA63	3.19	6.83	6.61	3.29	0.49	BK1/063I
PD/*S6M-6	3/4"	DA75	3.78	7.58	8.27	3.72	0.79	BK1/063B*
PD/*S6M-8	1"	DA100	4.25	8.62	10.83	4.84	0.98	BK2/075C*
PD/*S6M-10	1-1/4"	DA100	4.72	9.12	10.83	4.84	1.26	BK2/075C*
PD/*S6M-12	1-1/2"	DA100	5.12	9.72	10.83	4.84	1.50	BK2/075C*
PD/*S6M-16	2"	DA115	5.91	10.68	13.11	5.39	1.50	BK2/075C*

* Option
S = Stainless
C = Carbon

* Option
O = Fail open
C = Fail Close

* Coupler will be custom fit to valve

SPRING RETURN DIMENSIONS:

Part No.	Size	Actuator	A	B	C	D	ØE	Bracket Kit
P*/*S6M-4	1/2"	SR100	3.19	7.98	10.83	4.84	0.49	BK1/063I
P*/*S6M-6	3/4"	SR115	3.78	9.96	13.11	5.39	0.79	BK1/075A*
P*/*S6M-8	1"	SR140	4.25	11.38	19.69	7.32	0.98	BK2/125C*
P*/*S6M-10	1-1/4"	SR160	4.72	12.39	19.69	7.32	1.26	BK2/125C*
P*/*S6M-12	1-1/2"	SR160	5.12	12.98	19.69	7.32	1.50	BK2/100C*
P*/*S6M-16	2"	SR200	5.91	12.98	19.69	7.32	1.50	BK2/100C*