



S2S TL & TT SERIES PNEUMATIC ACTUATED VALVES

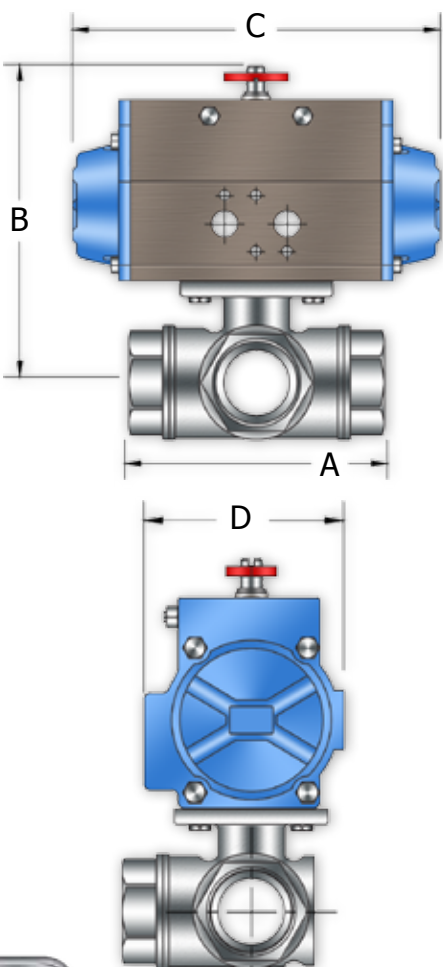
FEATURES:

Actuator

- 80 PSI Minimum, 120 PSI Max.
- Aluminum Construction
- Nitrile Seals, Polyamide Friction Guides
- -4°F to 185°F

Valve

- Stainless Steel 3-Way Std. Port Ball Valve
- 29"Hg-1000PSI WOG (1/4" to 1") 800PSI (1-1/4" to 2")
- ISO 5211 Mounting Pad
- Four Seat Design for Sealing Between Pressurized Ports
- RTFE Seats with Viton® O-Rings
- Temperature -20°F to 450°F



DOUBLE ACTING DIMENSIONS:

Part No.	Size	Actuator	A	B	C	D
PD/S2S-4T*	1/2"	DA52	2.64	5.03	5.88	2.82
PD/S2S-6T*	3/4"	DA52	2.87	5.28	5.88	2.82
PD/S2S-8T*	1"	DA63	3.19	6.18	6.61	3.29
PD/S2S-10T*	1-1/4"	DA63	3.74	6.46	6.61	3.29
PD/S2S-12T*	1-1/2"	DA75	4.39	6.85	8.27	3.72
PD/S2S-16T*	2"	DA85	4.86	7.80	9.47	4.17

* Option
T = T-Port
L = L-Port

SPRING RETURN DIMENSIONS:

Part No.	Size	Actuator	A	B	C	D
PS/S2S-4T*	1/2"	SR63	2.64	5.73	6.61	3.29
PS/S2S-6T*	3/4"	SR63	2.87	6.31	6.61	3.29
PS/S2S-8T*	1"	SR75	3.19	6.27	8.27	4.37
PS/S2S-10T*	1-1/4"	SR75	3.74	6.55	8.27	4.37
PS/S2S-12T*	1-1/2"	SR100	4.39	7.91	10.83	4.84
PS/S2S-16T*	2"	SR100	4.86	8.31	10.83	4.84

Note: Reference Flow Chart on matrix Page 4