



S3FV SERIES ELECTRIC ACTUATED VALVES



FEATURES:

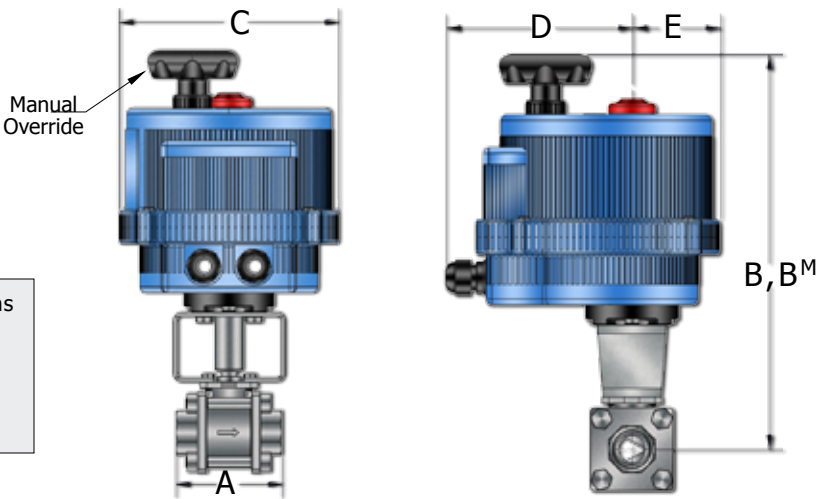
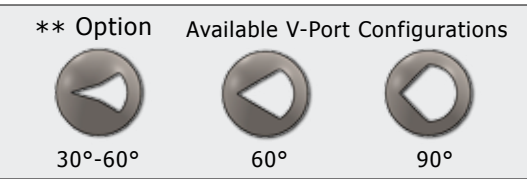
Actuator

- VO Self Extinguishing Class Techno-Polymer IP-67 Housing, Aluminum Available on request
- -4°F to 131°F Operating Temp.
- Heater Thermostat and Manual Override Standard
- Two Auxiliary Limit Switches Standard
- Shown With 4-20mA Positioner w/Position Indicator

Valve

- Stainless Steel 3-Piece Ball Valve
- 90° V-Port Ball, 30°-60° and 60° Available
- 1000PSI WOG (250PSI Steam)
- 25% Carbon PTFE Seats, Viton® O-Rings, RPTFE Stem Seal
- Temperature -4°F to 406°F
- Nace MR017 and MR0103, ISO 15156 Compliant

*** Actuator Voltage
115V = 115VAC
240V = 240VAC
012D = 12VDC
024D = 24VDC



DIMENSIONS:

Part No.	Size	Actuator		A	B	B ^M	C	D	E	Bracket
		Standard	Optional							
E***/S3FV**-4	1/2"	VB030	VB030M	2.55	9.42	10.05	6.19	5.10	2.38	RI3789
E***/S3FV**-6	3/4"	VB030	VB030M	2.99	10.96	11.32	6.19	5.10	2.38	RI3781
E***/S3FV**-8	1"	VB030	VB030M	3.62	11.16	11.79	6.19	5.10	2.38	RI3030
E***/S3FV**-10	1-1/4"	VB030	VB030M	4.19	11.31	11.94	6.19	5.10	2.38	RI3030
E***/S3FV**-12	1-1/2"	VB060	VB060M	4.56	12.99	13.25	7.28	5.76	2.66	RI3031
E***/S3FV**-16	2"	VB060	VB060M	5.35	13.95	14.21	7.28	5.76	2.66	RI3034
E***/S3FV**-24	3"	VB110	VB110M	7.08	15.98	16.49	8.31	6.09	3.77	RI3003
E***/S3FV**-32	4"	VB190	VB190M	8.54	16.59	17.10	8.31	6.09	3.77	RI3004

B^M = Optional Metal Actuator

