

S3FV SERIES PNEUMATIC ACTUATED VALVES



FEATURES:

Valve

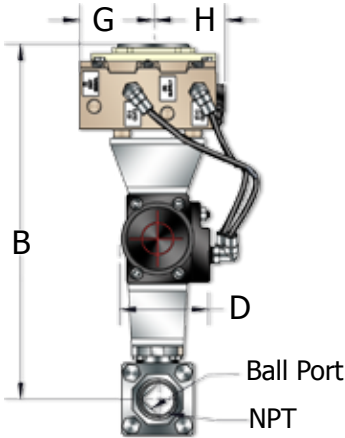
- Stainless Steel 3-Piece Ball Valve
- 90° V-Port Ball, 30°-60° and 60° Available
- 1000 PSI (250 Steam)
- 25% Carbon PTFE Seats, Viton® O-Rings, RPTFE Stem Seal
- Temperature -4°F to 406°F
- Nace MR017 and MR0103, ISO 15156 Compliant

Actuator

- Extruded Aluminum Body, Visual Indicator (Included)
- Double Acting or Spring Return
- Viton® O-Rings Seals
- 90 PSI to Operate

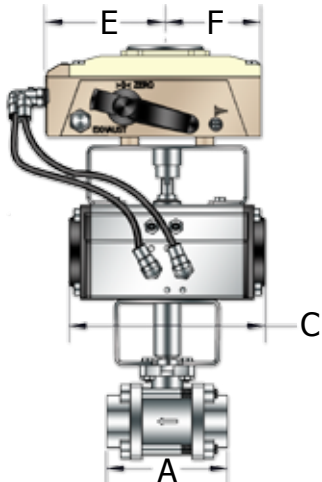
Positioner

- Cast Aluminum Body, Visual Indicator
- 4-20 mA (M4) or 3-15 PSI Input (M3)
- 90 PSI to Operate
- Set & Tested & Plumbed at Factory



DOUBLE ACTING DIMENSIONS:

Part No.	Size NPT	Actuator	A	B	C	D	Bracket	E	F	G	H
PD/S3FV**-4M*	1/2"	DA32	2.55	4.57	5.10	2.02	RI3789	3.59	2.86	2.26	2.35
PD/S3FV**-6M*	3/4"	DA52	2.99	7.40	5.88	2.82	RI3781				
PD/S3FV**-8M*	1"	DA52	3.62	7.60	5.88	2.82	RI3030				
PD/S3FV**-10M*	1-1/4"	DA63	4.19	7.75	6.46	3.17	RI3030				
PD/S3FV**-12M*	1-1/2"	DA63	4.56	9.01	6.46	3.17	RI3031				
PD/S3FV**-16M*	2"	DA75	5.35	9.97	8.27	3.78	RI3034				
PD/S3FV**-24M*	3"	DA85	7.08	11.49	9.47	4.17	RI3003				
PD/S3FV**-32M*	4"	DA100	8.54	13.42	10.83	4.84	RI3004				



SPRING RETURN DIMENSIONS:

Part No.	Size NPT	Actuator	A	B	C	D	Bracket	E	F	G	H
P*/S3FV**-4	1/2"	SR52	2.55	10.42	5.88	2.82	RI3790	3.59	2.86	2.26	2.35
P*/S3FV**-6	3/4"	SR63	2.99	11.86	6.46	3.17	RI3783				
P*/S3FV**-8	1"	SR63	3.62	12.08	6.46	3.17	RI3033				
P*/S3FV**-10	1-1/4"	SR63	4.19	12.25	6.46	3.17	RI3033				
P*/S3FV**-12	1-1/2"	SR85	4.56	14.29	9.47	4.17	RI3034				
P*/S3FV**-16	2"	SR100	5.35	15.08	10.83	4.84	RI3034				
P*/S3FV**-24	3"	SR125	7.08	17.73	14.64	5.83	RI3010				
P*/S3FV**-32	4"	SR125	8.54	19.27	14.64	5.83	RI3005				

Note: for flow chart see pg 23 in the manual ball valve catalog

** Option

Available V-Port Configurations



30°-60°



60°



90°

Positioner

* Option

M4= 4-20mA

M3=3-15 Psi Signal

Actuator

* Option

O = Fail open

C = Fail Close