

**CLASS 300 CARBON STEEL AND STAINLESS STEEL
FULL PORT WAFER VALVES**

PART #	SIZE	A	B	C	D	E	F	G
*WFF300-4	1/2"	1.38	2.53	5.17	F03	0.59	(4)X0.50	2.62
*WFF300-6	3/4"	1.57	2.71	5.17	F03	0.78	(4)X0.63	3.25
*WFF300-8	1"	1.81	3.16	6.87	F04	0.98	(4)X0.63	3.50
*WFF300-10	1-1/4"	2.12	3.32	6.87	F04	1.26	(4)X0.63	3.88
*WFF300-12	1 1/2"	2.50	4.03	9.86	F05	1.57	(4)X0.75	4.50
*WFF300-16	2"	3.23	4.37	9.86	F05	1.97	(8)X0.63	5.00
*WFF300-20	2-1/2"	4.05	5.03	12.65	F07	2.52	(8)X0.75	5.88
*WFF300-24	3"	4.80	5.45	12.65	F07	2.99	(8)X0.75	6.62
*WFF300-32	4"	5.98	6.16	15.01	F10	3.74	(8)X0.75	7.88
*WFF300-48	6"	9.13	7.02	15.01	F12	4.92	(12)X0.75	10.62

*W: SW = Stainless
CW = Carbon Steel

NOTES:

- FULL PORT
- 29" HG - 285 PSI, COLD NON-SHOCK
- TEMPERATURE -4°F TO 366°F
- P.T.F.E. SEATS, PACKING AND THRUST WASHER
- FKM (VITON) O-RINGS
- BLOW OUT PROOF STEM
- ADJUSTABLE STEM PACKING
- ISO MOUNTING PAD FOR ACTUATOR USE

CARBON STEEL:

- BODY AND END CONNECTION: ASTM A105
- STEM AND BALL: AISI 304

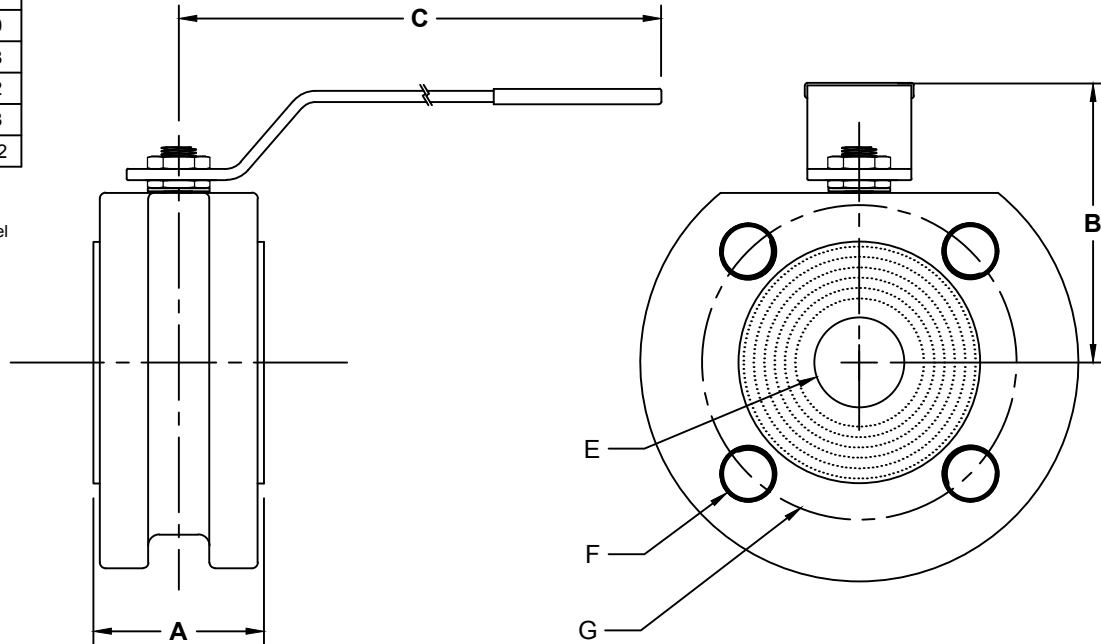
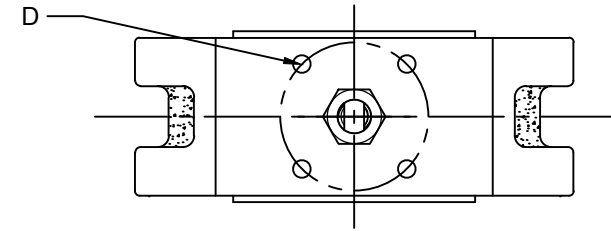
STAINLESS STEEL:

- BODY AND END CONNECTION: A479-316/A351-CF8M
- BALL: AISI 3160CF8M

STEM: A182-F316

SEE ORDERING MATRIX FOR ADDITIONAL OPTIONS

HANDLE NOT SHOWN FOR CLARITY



DRAWING NAME:

2-WAY CLASS 300 CARBON STEEL OR STAINLESS STEEL FLANGED
2-WAY WAFER VALVES

MATERIAL:

A

DRAWING NUMBER:

CLASS 300 CWFF_SWFF-SERIES

REV.

4

SCALE: N.T.S.

NAME: MCH

DATE: 9-23-21