

NOTES:

- FULL PORT
- 29" HG - 285 PSI, COLD NON-SHOCK
- TEMPERATURE -4°F TO 366°F
- P.T.F.E. SEATS, PACKING AND THRUST WASHER
- FKM (VITON) O-RINGS
- BLOW OUT PROOF STEM
- ADJUSTABLE STEM PACKING
- ISO MOUNTING PAD FOR ACTUATOR USE

CARBON STEEL:

- BODY AND END CONNECTION: ASTM A105
- STEM AND BALL: AISI 304

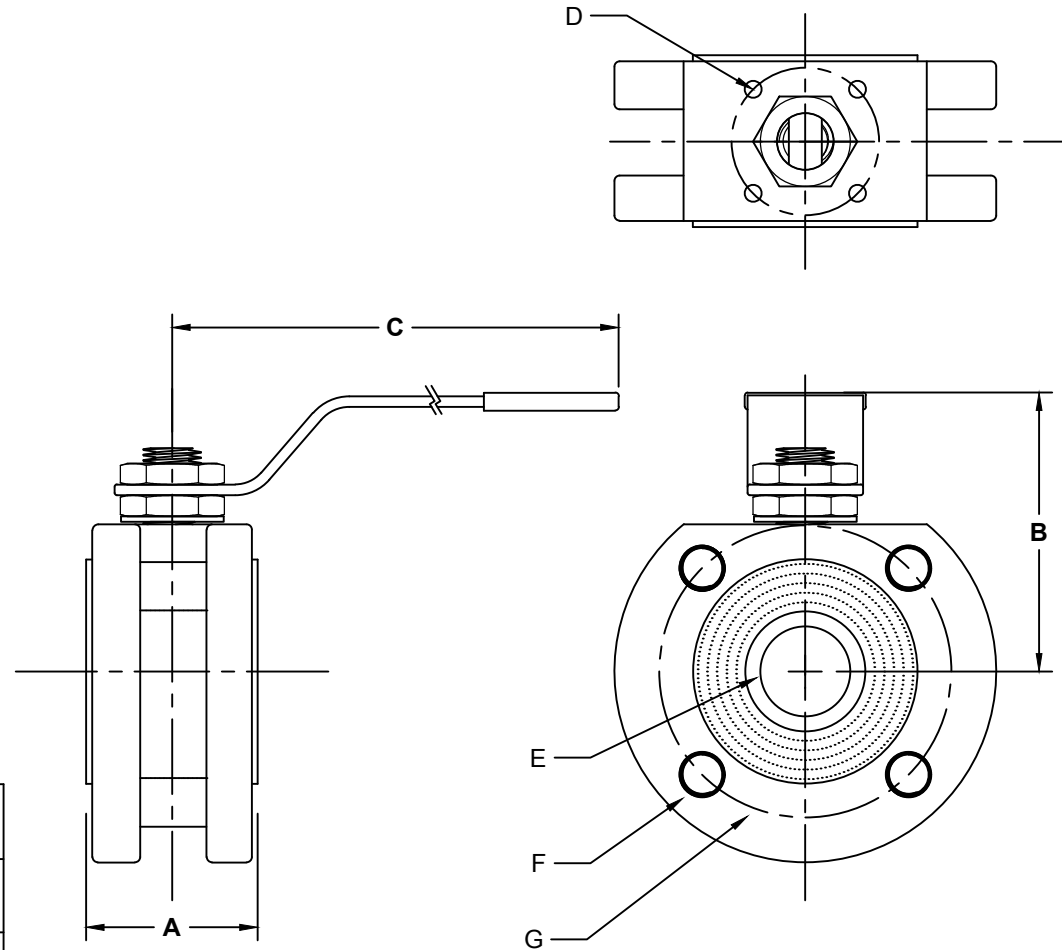
STAINLESS STEEL:

- BODY AND END CONNECTION: A479-316/A351-CF8M
- BALL: AISI 3160CF8M

STEM: A182-F316

SEE ORDERING MATRIX FOR ADDITIONAL OPTIONS

HANDLE NOT SHOWN FOR CLARITY



**CLASS 150 CARBON STEEL AND STAINLESS STEEL  
FULL PORT WAFER VALVES**

PART #	SIZE	A	B	C	D	E	F	G
*WFF150-4	1/2"	1.37	2.53	5.17	F03	0.59	(4)X0.50	3.50
*WFF150-6	3/4"	1.57	2.71	5.17	F03	0.78	(4)X0.50	3.88
*WFF150-8	1"	1.81	3.16	6.87	F04	0.98	(4)X0.50	4.25
*WFF150-10	1-1/4"	2.12	3.32	6.87	F04	1.26	(4)X0.50	4.62
*WFF150-12	1-1/2"	2.50	4.03	9.86	F05	1.57	(4)X0.50	5.00
*WFF150-16	2"	3.22	4.37	9.86	F05	1.97	(4)X0.63	6.00
*WFF150-20	2-1/2"	4.05	5.03	12.65	F07	2.52	(4)X0.63	7.00
*WFF150-24	3"	4.80	5.45	12.65	F07	2.99	(4)X0.63	7.50
*WFF150-32	4"	5.98	6.16	15.01	F10	3.74	(8)X0.63	9.00
*WFF150-48	6"	7.71	7.02	15.01	F10	4.92	(8)X0.75	10.00

\*W: SW = Stainless  
CW = Carbon Steel

THIS DOCUMENT IS PROPERTY OF UNIVERSAL COMPONENTS, INC.  
ANY REPRODUCTION, DISCLOSURE, OR USE OF THIS DOCUMENT IS  
EXPRESSLY PROHIBITED UNLESS OTHERWISE AGREED UPON IN WRITING.  
\*ALL SPECIFICATIONS SUBJECT TO CHANGE WITHOUT NOTICE.\*



DRAWING NAME:

2-WAY CLASS 150 CARBON STEEL OR STAINLESS STEEL FLANGED  
2-WAY WAFER VALVES

MATERIAL:

**A**

DRAWING NUMBER:

CWFF\_SWFF-150-SERIES

REV.

**3**

SCALE: N.T.S.

NAME: MCH

DATE: 9-23-21