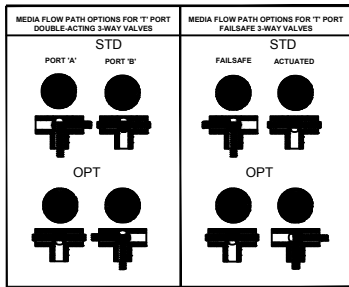
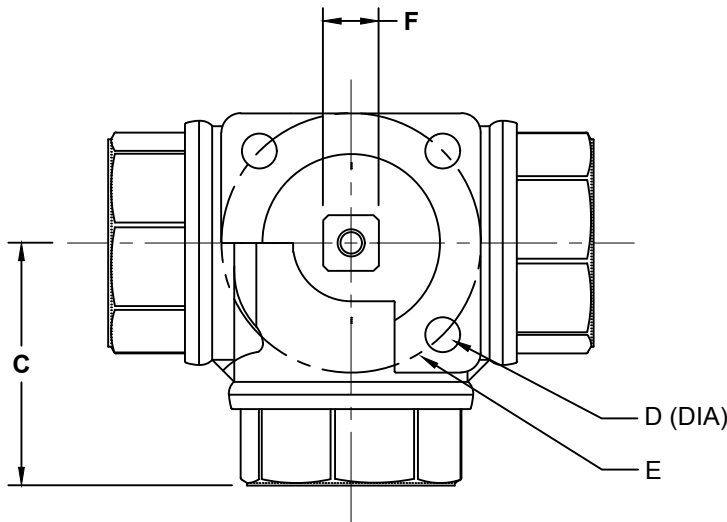
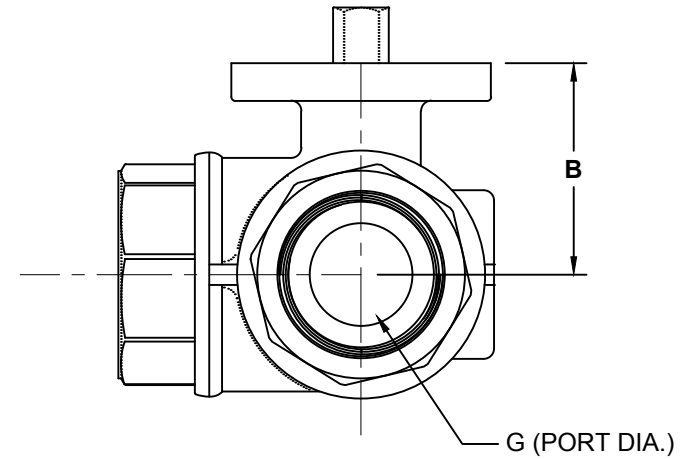
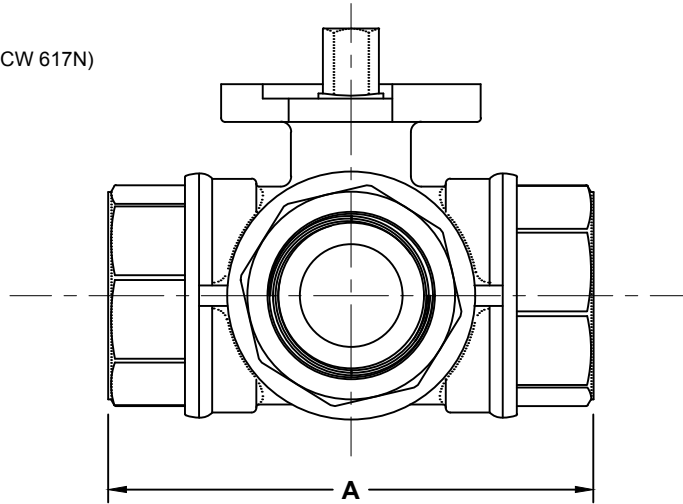


**VALVE NOTES:**

- BODY, RETAINER: BRASS (CW 617N)
- BALL SEAT, STEM SEAL, THRUST WASHER: PTFE
- 4 SEAT DESIGN
- STEM: BRASS (CW 614N)
- BALL: CHROME PLATED BRASS (CW 617N)
- O-RINGS: VITON
- 29" Hg-400 PSIG WOG - 150 WSP
- BLOWOUT PROOF STEM
- TEMP 0° TO 344° F



3-WAY T AND L PORT BRASS VALVE WITH ISO MOUNTING PAD									
PART #	END THREAD (NPT)	A	B	C	D	E	F		
							MM/IN		
B2S-2T*	1/4	2.64	1.20	1.32	0.23	F03	9	0.35	0.39
B2S-3T*	3/8	2.64	1.20	1.32	0.23	F03	9	0.35	0.43
B2S-4T*	1/2	2.87	1.20	1.44	0.23	F03	9	0.35	0.43
B2S-6T*	3/4	3.19	1.29	1.60	0.23	F03	9	0.35	0.59
B2S-8T*	1	3.74	1.63	1.87	0.27	F05	11	0.43	0.75
B2S-10T*	1-1/4	4.39	1.85	2.20	0.27	F05	11	0.43	0.95
B2S-12T*	1-1/2	4.86	2.34	2.43	0.27	F05	11	0.43	1.18
B2S-16T*	2	5.73	2.91	2.87	0.35	F07	14	0.55	1.50
B2S-20T*	2-1/2	6.93	3.35	3.47	0.35	F07	14	0.55	1.95
B2S-24T*	3	7.08	3.35	3.54	0.35	F07	14	0.55	1.95

T\*:  
 TT = T PORT  
 TL = L PORT



DRAWING NAME:  
 DIRECT MOUNT BRASS STD PORT 3-WAY VALVES  
 WITH ISO MOUNTING PAD

MATERIAL:	<b>A</b>	DRAWING NUMBER: B2S-TT-TL-SERIES	REV. <b>2</b>
SCALE: N.T.S.	NAME: MCH	DATE: 8-11-21	

THIS DOCUMENT IS PROPERTY OF UNIVERSAL COMPONENTS, INC.  
 ANY REPRODUCTION, DISCLOSURE, OR USE OF THIS DOCUMENT IS  
 EXPRESSLY PROHIBITED UNLESS OTHERWISE AGREED UPON IN WRITING.  
 \*ALL SPECIFICATIONS SUBJECT TO CHANGE WITHOUT NOTICE.\*