

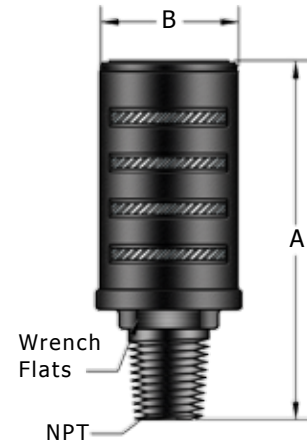


HPM Series Mufflers

Features:

HPM Series:

- Nylon Housing
- Stainless Steel Wire Element
- 150 PSIG Maximum Working Pressure
- Temperature 35°F to 120°F



Dimensions:

Part	NPT Size	A	B	Wrench Flats	Body	Screen
HPM-1	1/8"	2.13	0.83	13/16"	Nylon	Stainless Steel Wire
HPM-2	1/4"	2.25	0.83	13/16"		
HPM-3	3/8"	3.44	1.25	1 1/4"		
HPM-4	1/2"	3.56	1.25	1 1/4"		

