

BGFLL SERIES BALL VALVE



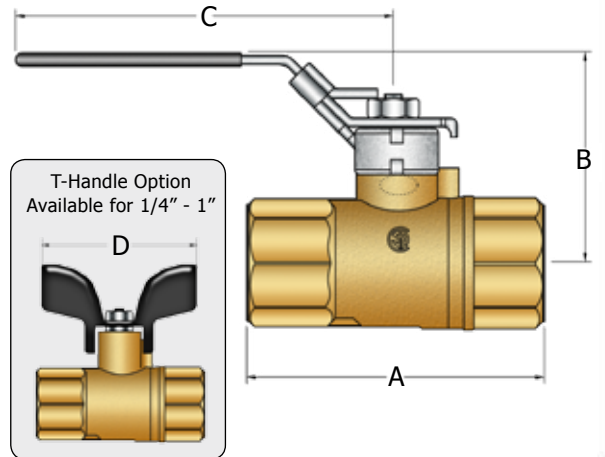
MSS SP-110 Compliant

Features:

- Brass Full Port Ball Valve With Latch Lock Handle
- 29" Hg-600psi WOG, 150 WSP
- Blow Out Proof Stem
- Temperature to 366°F

Dimensions

PART #	NPT	A	B	C	D	ØE*	Cv	Wt. Lbs.
BGF-2LL	1/4"	2.02	1.83	3.78	1.97	0.39	6	0.33
BGF-3 LL	3/8"	2.02	1.83	3.78	1.97	0.39	7	0.30
BGF-4LL	1/2"	2.44	1.99	3.78	1.97	0.59	19	0.48
BGF-6LL	3/4"	2.71	2.48	4.84	2.54	0.79	34	0.79
BGF-8LL	1"	3.07	2.64	4.84	2.54	0.98	50	1.22
BGF-10LL	1-1/4"	3.42	3.15	5.94	N/A	1.26	104	2.14
BGF-12LL	1-1/2"	3.89	3.38	5.94		1.57	268	3.20
BGF-16LL	2"	4.33	3.74	6.30		1.95	309	4.08
BGF-20LL	2-1/2"	5.59	5.02	8.11		2.56	629	8.28
BGF-24LL	3"	6.45	5.45	8.11		3.15	1018	13.00
BGF-32LL	4"	7.60	6.56	10.28		3.94	1622	22.07



Bill of Materials

PART	Material
Body	Brass CW 617N
End Connection	
Ball	
Stem	Brass CW 614N
O-Ring	NBR
Ball Seat	PTFE
Thrust Washer/ Stem Seat	
Nut	Steel
Handle & Lock	Steel
Lock Bushing	Die Cast Zinc Alloy
Tee Handle	Cast Aluminum

