

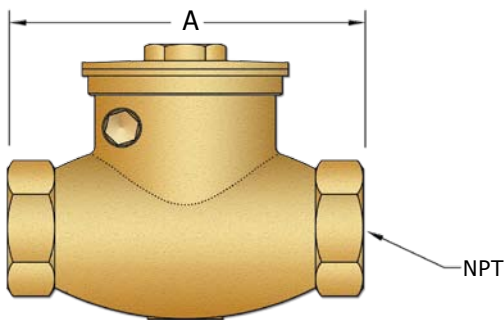


SWC SERIES CHECK VALVE



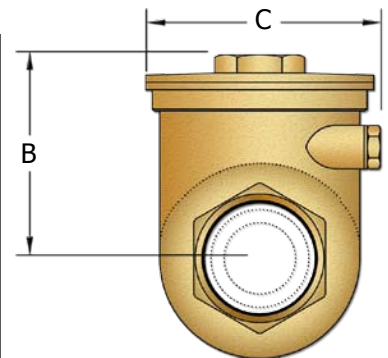
Features:

- All Brass Construction
- Metal Seat Design
- 200 psi Max Working Pressure
- Working Temperature -20°F to 248°F
- Sizes Available From 1/2" to 3"



Dimensions

PART #	NPT SIZE	A	B	C
SWC-4	1/2"	2.56	1.73	1.83
SWC-6	3/4"	3.15	2.05	2.05
SWC-8	1"	3.50	2.44	2.20
SWC-10	1-1/4"	4.13	2.64	2.56
SWC-12	1-1/2"	4.72	3.11	2.95
SWC-16	2"	5.47	3.15	3.31
SWC-20	1-1/2"	7.13	3.78	4.25
SWC-24	3"	7.87	4.09	5.39



Bill of Materials

Material	Description
Body	Cast Bronze
Cap	
Disc	
Pin	Stainless Steel
Gasket	PTFE

