

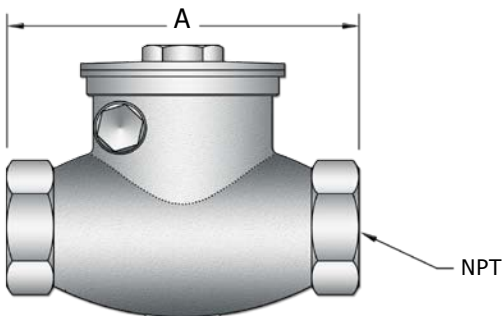
# SSWC SERIES CHECK VALVE



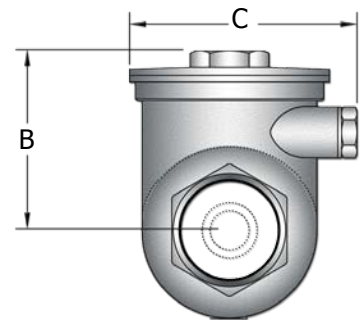
## Features:

- ASTM A351 CF8M Stainless Steel
- Metal Seat Design
- Investment Casting
- 200 psi Max Working Pressure
- Working Temperature -4°F to 392°F
- Sizes Available From 1/2" to 3"

## Dimensions



PART #	NPT SIZE	A	B	C
SSWC-4	1/2"	2.56	1.73	1.83
SSWC-6	3/4"	3.15	2.05	2.05
SSWC-8	1"	3.50	2.44	2.20
SSWC-10	1-1/4"	4.13	2.64	2.56
SSWC-12	1-1/2"	4.72	3.11	2.95
SSWC-16	2"	5.47	3.15	3.31
SSWC-20	1-1/2"	7.13	3.78	4.25
SSWC-24	3"	7.87	4.09	5.39



## Bill of Materials

Material	Description
Body	ASTM A351-CF8M (Stainless Steel)
Seat	
Cap	
Disc	
Gasket	PTFE
Pin	AISI 304 Stainless

