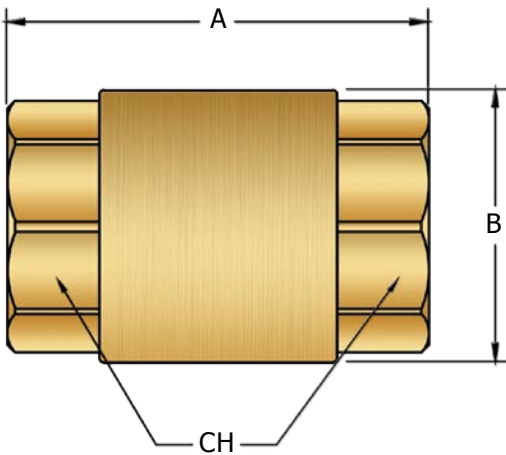


# BCS SERIES CHECK VALVE



## Features:

- Soft Seat Bubble Tight 1/2 psi Cracking Pressure
- NBR Seat Stainless Steel Spring
- Max Working Pressure 400 psi WOG
- Working Temperature 10°F to 210°F
- Foot Valve Screen Available



## Dimensions

PART #	NPT	A	B	CH	I*	Psi	Cv	Lbs
BCS-4	1/2"	1.74	1.10	0.98	0.47	400	4.50	0.20
BCS-6	3/4"	1.87	1.36	1.22	0.47	400	6.10	0.35
BCS-8	1"	2.20	1.65	1.50	0.57	400	11.00	0.55
BCS-10	1-1/4"	2.44	2.05	1.89	0.63	400	16.90	0.88
BCS-12	1-1/2"	2.75	2.40	2.12	0.71	400	27.40	1.28
BCS-16	2"	3.07	2.87	2.64	0.75	400	39.10	1.94

\* = for "I" see drawing below

## Bill of Materials

Description	Material
Body	Brass CW 617N UNI EN 12165
End Connection	Brass CW 617N UNI EN 12165
Disc	Polyetherimide
Seat	NBR
Spring	Stainless Steel

