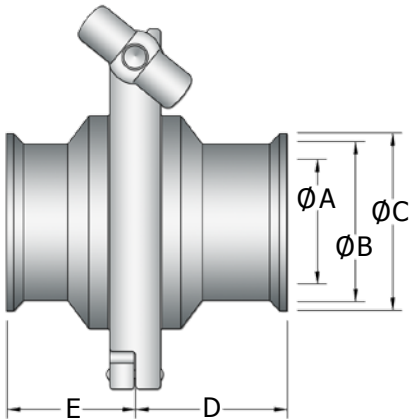


SCTC SERIES CHECK VALVE



Features:

- ASTM 316L Stainless Steel Construction
- Max Working Pressure 150 psi
- Max Working Temperature 250°F
- Sanitary Tri-Clamp Design (Weld in Connection Also Available. Consult Factory)
- Viton® Seal Standard (EPDM available)
- Suitable for Food, Pharmaceutical, Dairy and Other Sanitary Applications
- Sizes Available From 1/2" to 6"



Dimensions

PART #	Ø A	Ø B	Ø C	D	E
SCTC-4	0.37	0.68	1.00	1.10	1.53
SCTC-6	0.62	0.68	1.00	1.10	1.53
SCTC-8	0.87	1.71	1.98	1.65	2.32
SCTC-12	1.37	1.71	1.98	1.65	2.32
SCTC-16	1.87	2.25	2.51	1.65	2.32
SCTC-20	2.37	2.77	3.05	1.65	2.32
SCTC-24	2.87	3.28	3.58	1.65	2.32
SCTC-32	3.81	4.42	4.68	2.32	2.59

Bill of Materials

Material	Description
Body Stem & Disc Wing Nut Clamp Stem Guide	ASTM 316L Stainless Steel
Spring	316 Stainless Steel
Internal Body O-Ring	BUNA
Seal Ring	Viton®

