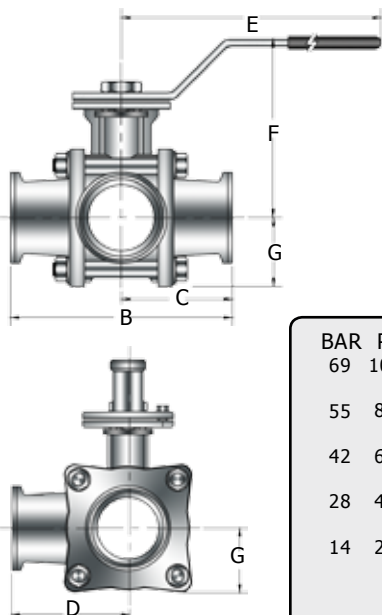


STC-TT & TL SERIES BALL VALVE



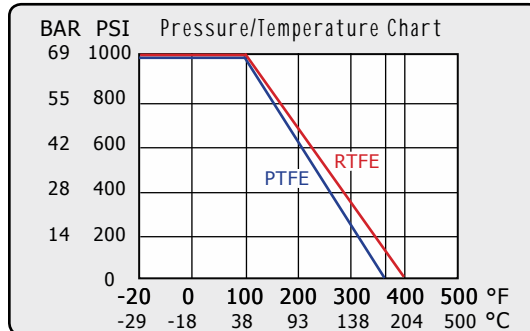
Features:

- Stainless Steel 3-Way Sanitary Tri-Clamp Ball Valve
- ISO 5211 Mounting Pad w/Latch Lock Handle
- 316 Stainless Steel Ball & Stem, CF8M S.S. Body
- Blow Out Proof Stem
- Cavity Filled Teflon Seats Std. (Non-Cavity Filled Seats Optional)
- Complies with FDA, USDA 3A (Cavity Filled Only)



Dimensions

Part #	NPT	ØA*	B	C	D	E	F	G	ISO 5211	Stem (mm)	Lbs
STC-8T*	1"	1.13	4.50	2.25	2.23	7.28	3.62	1.12	F04/05	11	3.5
STC-12T*	1-1/2"	1.37	5.50	2.75	2.44	8.66	4.41	1.53	F05/07	14	6
STC-16T*	2"	1.87	6.25	3.13	3.13	8.66	4.76	1.82	F07/10	14	9.5
STC-24T*	3"	2.88	9.00	4.50	4.50	13.78	6.63	2.91	F07/10	17	29
STC-32T*	4"	3.83	9.50	4.75	4.75	13.78	7.22	3.46	F10/012	17	44



NOTE:
For Suffix * use "T" (T-Port) or "L" (L-Port)

Example:
STC-16TT = 2" T-Port
STC-8TL = 1" L-Port

Bill of Materials

PART	Material	PART	Material
Body	CF8M/	Lever Nut	304 Stainless Steel
End Cap	316 Stainless Steel	Locking Tab	304 Stainless Steel
Seat	PTFE	Handle	Vinyl
Ball	316 Stainless Steel	Handle Sleeve	Vinyl
Stem	316 Stainless Steel	Stop Screw	304 Stainless Steel
Thrust Washer	PTFE	Bolt	304 Stainless Steel
Stem Seal	PTFE	Bolt Nut	304 Stainless Steel
Gland Ring	304 Stainless Steel	Lock Washer	316 Stainless Steel
O-Ring	Viton®	Static Device	316 Stainless Steel
Bellville Washer	301 Stainless Steel	Body Gasket	PTFE

