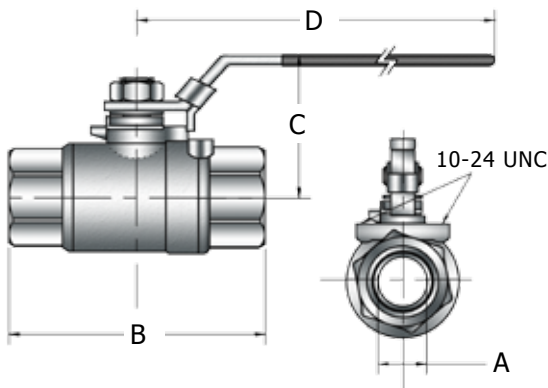


# S2S SERIES BALL VALVE



## Features:

- 316 Stainless Steel (CF8M)
- Standard Port 2-Piece Ball Valve
- 29" Hg-2000psi WOG
- Blow Out Proof Stem
- Latch Lock Handle Standard
- RTFE Seats and PTFE Seals
- Temperature -20°F to 400°F



## Dimensions

PART #	NPT	A	B	C	D	Cv	Wt	torque in/Lbs
S2S-2	1/4"	0.38	2.00	1.97	3.78	6	0.51	30
S2S-3	3/8"	0.46	2.00	1.97	3.78	7	0.51	30
S2S-4	1/2"	0.50	2.40	1.97	3.78	10	0.62	40
S2S-6	3/4"	0.59	2.67	2.09	3.78	16	0.99	60
S2S-8	1"	0.79	3.26	2.52	4.92	24	1.47	115
S2S-10	1-1/4"	1.00	3.54	2.60	4.92	47	1.98	160
S2S-12	1-1/2"	1.26	4.09	3.10	6.70	90	3.15	220
S2S-16	2"	1.50	4.60	3.27	6.70	125	5.17	300

## Bill of Materials

Part	Material
Body	CF8M
Ball	AISI 316
Seat	RTFE
End Gasket	PTFE
End Cap	CF8M
Stem	AISI 316
Thrust Washer	RTFE
Stem Packing	PTFE
Gland Nut	AISI 316
Handle	
Handle Sleeve	Vinyl
Nut	AISI 316

