

# CG/CFH SERIES BALL VALVE



Latch Lock Handle

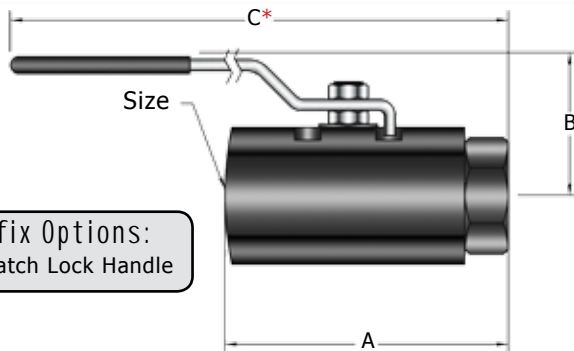
## Features:

### CG Series Carbon Steel 2000psi Ball Valve

- 29"-Hg 2000psig WOG, Cold Non-Shock (1/4"-1")
- 29"-Hg 1500psig WOG, Cold Non-Shock (1-1/4"-2")
- Blowout Proof Stem, W/Adjustable Stem Packing
- RTFE Seats
- 150psig Saturated Steam
- Temperature Range -20°F to 425°F

### CFH Series Carbon Steel 3000psi Ball Valve

- 29"-Hg 3000psig WOG, Cold Non-Shock
- Full Port
- Blowout Proof Stem, W/Adjustable Stem Packing
- RTFE Seats
- 150psig Saturated Steam
- Temperature Range -20°F to 425°F



### CG and CG-LL Series 2,000psi

Part	Size NPT	A	B	C	Cv	C* Lock handle	Wt. Lbs.
CG-2	1/4"	2.00	1.63	3.78	6	4.18	0.60
CG-3	3/8"	2.00	1.63	3.78	12	4.18	0.60
CG-4	1/2"	2.37	1.73	3.78	15	4.18	0.80
CG-6	3/4"	2.90	2.08	5.10	23	5.22	1.45
CG-8	1"	3.41	2.30	5.10	36	5.22	2.35
CG-10	1-1/4"	3.94	2.76	6.10	44	7.60	2.70
CG-12	1-1/2"	4.65	2.98	6.10	64	7.60	4.50
CG-16	2"	4.98	3.54	8.60	114	8.60	6.10

## Dimensions

### CFH and CFH-LL Series 3,000psi

Part	Size	A	B	C	Cv	C* Lock handle	Wt. Lbs.
CFH-2	1/4" NPT	2.01	1.63	3.78	6	4.18	0.60
CFH-S4	7/16"-20 SAE						
CFH-3	3/8" NPT	2.01	1.63	3.78	12	4.18	0.60
CFH-S6	9/16"-18 SAE						
CFH-4	1/2" NPT	2.84	2.16	4.78	19	4.18	1.50
CFH-S8	3/4"-16 SAE					4.75	
CFH-6	3/4" NPT	3.71	2.35	4.78	34	5.22	2.40
CFH-S12	1-1/16"-12 SAE					5.33	
CFH-8	1" NPT	4.15	2.85	6.10	54	5.22	5.30
CFH-S16	1-5/16"-12 SAE					6.20	
CFH-10	1-1/4" NPT	4.65	3.43	8.00	48	7.60	7.73
CFH-S20	1-5/8"-12 SAE						
CFH-12	1-1/2" NPT	5.23	3.56	8.00	84	7.60	10.2
CFH-S24	1-7/8"-12 SAE						
CFH-16	2" NPT	5.84	4.18	9.00	108	7.60	14.9
CFH-S32	2-1/2"-12 SAE					8.60	

\* - with Locking Handle

## Bill of Materials

PART	Stainless Steel
Body	Steel C12L14 Zinc Phos Coated
End Cap	Steel C12L14 Zinc Phos Coated
Stem	316 Stainless Steel
Ball	316 Stainless Steel
End Cap Seal	PTFE
Stem Seal	RPTFE
Thrust Washer	RPTFE
Ball Seat	RPTFE
Handle	Zinc Plated Steel
Nut	Zinc Plated Steel
Spring Washer	Zinc Plated Steel
Follower	304 Stainless Steel
Grip	Vinyl

