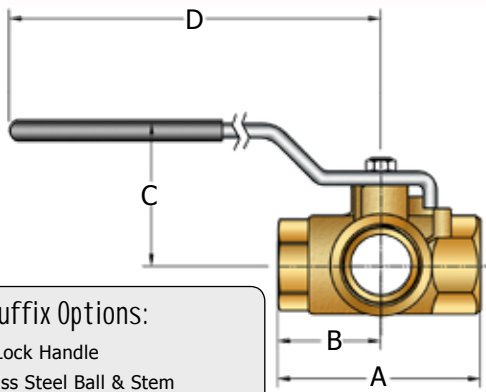




# BHMT SERIES BALL VALVE

## Features:

- 400 psig WOG, Cold Non-Shock
- Blowout-Proof Stem, With Adjustable Packing
- Diverter/Mixing Valve
- -35°F to 400°F Temperature Range



### Suffix Options:

- LL = Latch Lock Handle
- SS = Stainless Steel Ball & Stem
- BSPP = BSPP threads, parallel, 1/4" to 2"
- BSPT = BSPT threads, tapered, 1/4" to 2"
- OX = Oxygen Cleaned

## Dimensions

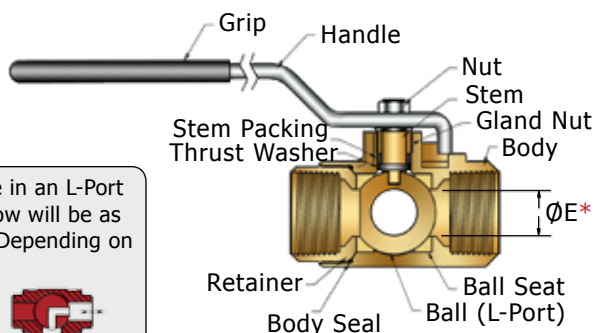
PART #	NPT	A	B	C	D	ØE*	Cv	Lbs
BHM-2T	1/4"	2.25	1.09	1.80	3.88	0.50	2.3	0.86
BHM-3T	3/8"	2.27	1.12	1.80	3.88	0.50	4.5	0.84
BHM-4T	1/2"	2.75	1.10	1.75	3.88	0.50	5.4	0.99
BHM-6T	3/4"	3.00	1.50	2.12	4.87	0.68	12	1.91
BHM-8T	1"	3.20	1.59	2.20	4.87	0.87	14	2.42
BHM-10T	1-1/4"	3.98	1.99	2.69	5.50	1.00	21	4.27
BHM-12T	1-1/2"	4.40	2.21	2.87	5.50	1.25	34	5.82
BHM-16T	2"	4.69	2.34	3.00	5.50	1.50	47	8.55

\* = See Below, on Material Drawing

NOTE: Locking Handle Option Available. Locking Handle Orientation is 180° from Non-Locking Handle. Locking Handle Part Number Denotion, BHM-\*\*LL

## Bill of Materials

PART	Material
Handle	Zinc Plated Steel
Grip	Vinyl
Stem Packing	MPTFE
Thrust Washer	RPTFE
Ball	Chrome Plated B16 Brass
Ball Seat	RPTFE
Retainer	B16 (1/4" to 1") B584-C84400 (1-1/4" to 2")
Gland Nut	B16
Stem	B16
Handle Nut	Zinc Plated Steel
Body Seal	PTFE (1-1/2" to 2")
Body	B584-C84400



BHM-T Valves are in an L-Port Configuration. Flow will be as Depicted Below, Depending on Lever Position

